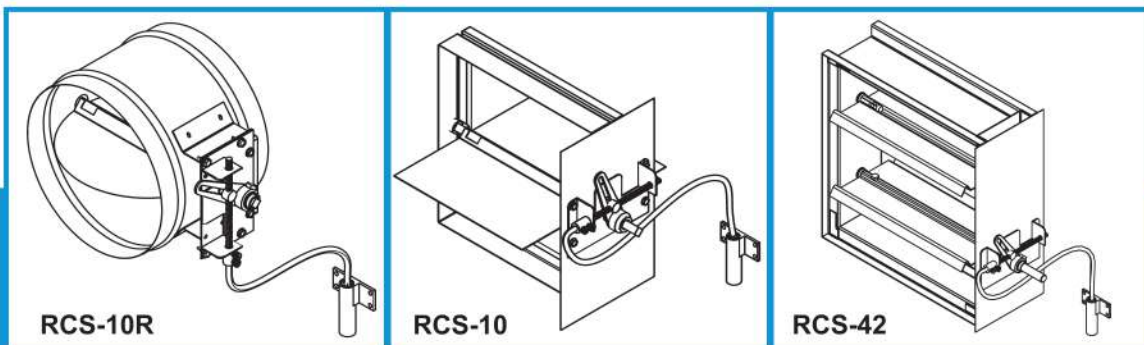
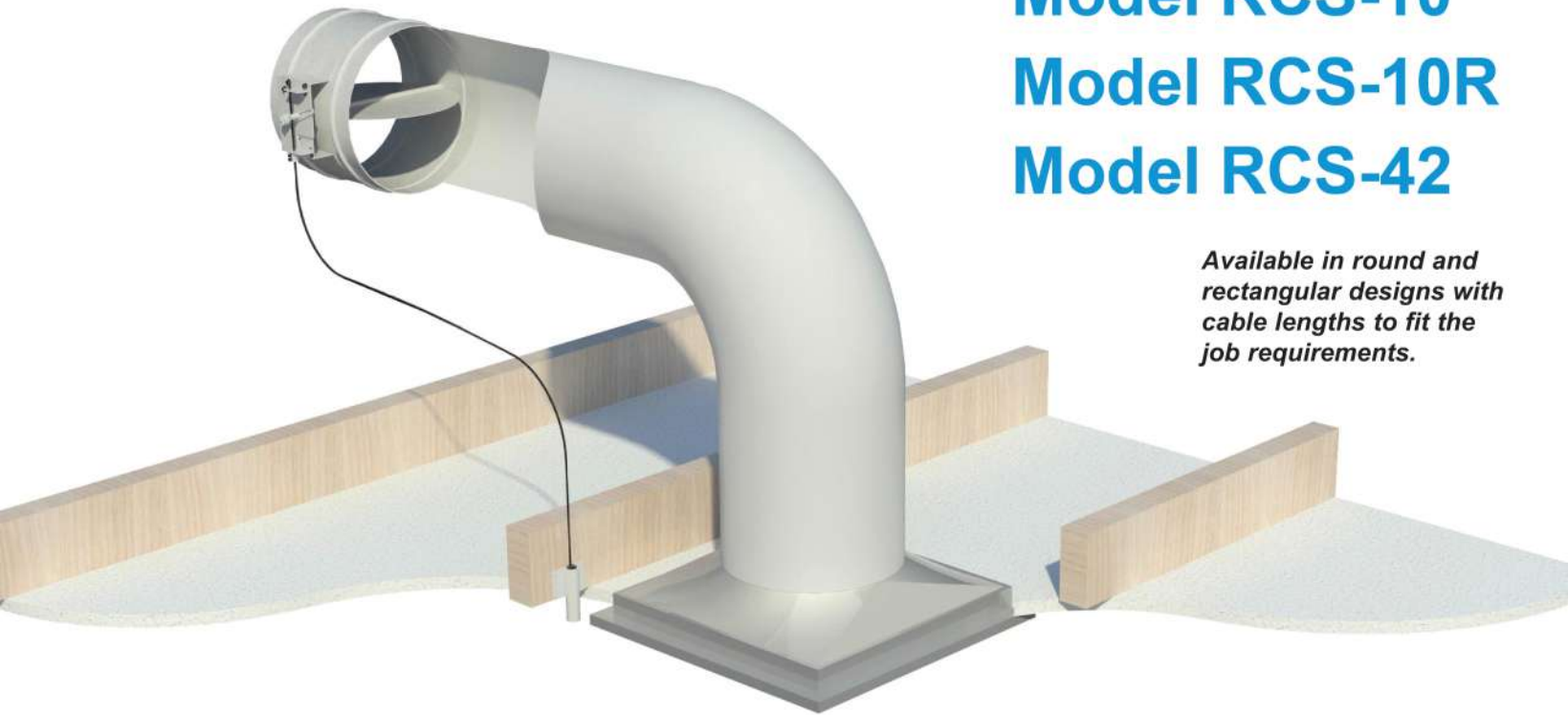


POTTORFF®

Remote Controlled Cable Operated Dampers

Model RCS-10
Model RCS-10R
Model RCS-42

Available in round and rectangular designs with cable lengths to fit the job requirements.



- Convenient control for balancing dampers.
- Galvanized steel construction with tight sealing synthetic bearings to minimize leakage and eliminate rattling.
- Units are provided with damper, cable and screw drive fully assembled to minimize installation time.
- Screw-drive assembly holds the blade in a constant position - regardless of airflow.
- Ceiling opening design - STD 15/16" O.D. plastic access tube with finishing plug - unobtrusive opening in ceiling or wall for architectural requirements.
- Optional sleeve lengths and gauges.

POTTORFF®

Visit www.pottorff.com for more information about these models.